

PRODUCT DATA SHEET

Corner distribution box

VCBR160-8-L, VCBR160-8/90-L, VCBR200-8-L, VCBR200-8/90-L
 VCBR160-8-P, VCBR160-8/90-P, VCBR200-8-P, VCBR200-8/90-P

NOVELTY

ATC1
TIGHTNESS CLASS

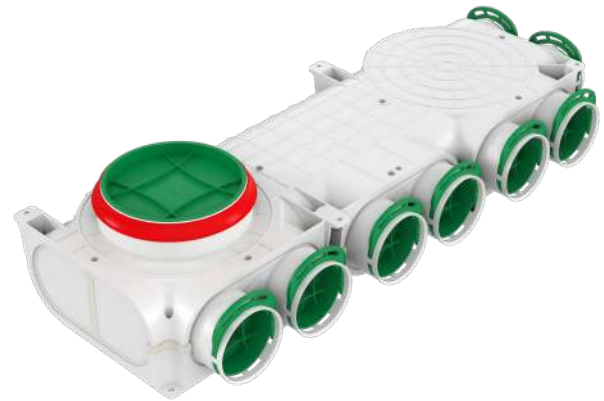
PP
MATERIAL

BACTERIOSTATIC

The Awenta PRO corner distribution box allows you to connect up to 8 ventilation channels with a diameter of 75-90 mm.

Unused connections can be closed with the plugs included in the set. Two versions of the connection to the control unit are available, with diameters of Ø160 mm and Ø200 mm, as well as left and right variants to facilitate adaptation to the installation layout.

AWENTA PRO boxes are a well-thought-out design created with many years of reliable use in mind. Thanks to their solid housing, the use of high-quality plastics and bacteriostatic additives, the boxes meet the requirements of even the most demanding users. The wide range of available models has been carefully developed to allow their use in most standard mechanical ventilation installations.

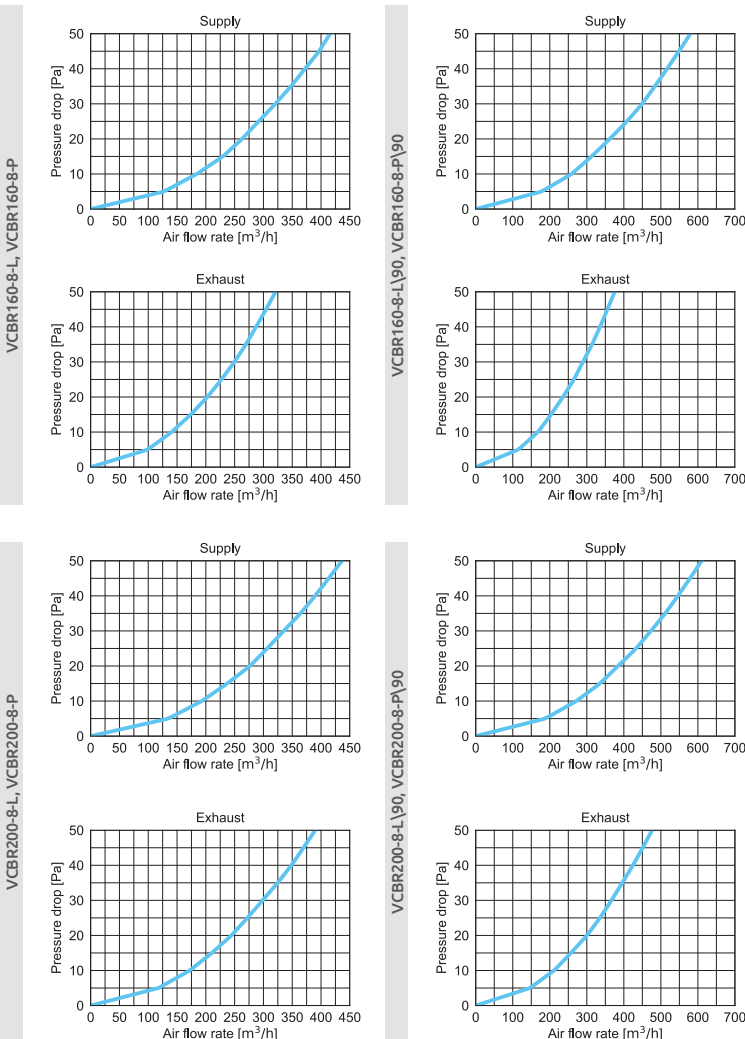


VCBR160-8-L

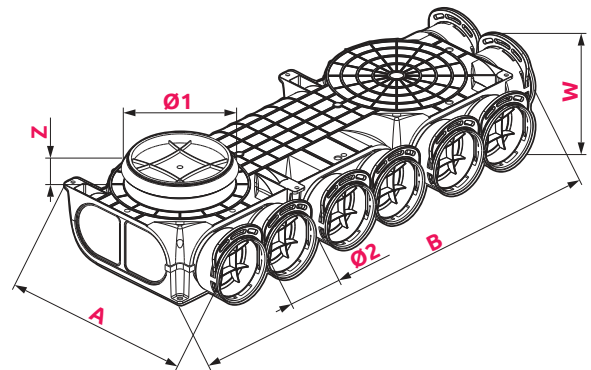
VCBR200-8-P/90



AIR FLOW CHARACTERISTICS



DIMENSIONS



	Ø1	Ø2	A	B	W	Z
VCBR160-8-L	160	75	283	727	107	38
VCBR200-8-L	200	75	283	727	107	38
VCBR160-8-P	160	75	283	727	107	38
VCBR200-8-P	200	75	283	727	107	38
VCBR160-8-L/90	160	90	298	742	119	38
VCBR200-8-L/90	200	90	298	742	119	38
VCBR160-8-P/90	160	90	298	742	119	38
VCBR200-8-P/90	200	90	298	742	119	38

WITH NANOSILVER ADDITIVE
 ELIMINATING UP TO 99% BACTERIA